

Knurled Control knobs

Aluminium

SPECIFICATION

Types

- Type **N**: neutral
- Type **M**: with arrow
- Type **S**: with scale 0...9, 20 graduations

Aluminium
anodized, natural colour

Scale (Type S) and arrow (Type M)
engraved with laser precision

Stainless Steel-Grub screw DIN 916
with internal hexagon and serrated point

INFORMATION

Control knobs GN 723.4 can be combined with reference flanges GN 723.3 which offer the following advantages:

- they are provided with a reference mark relating to the scale on the control knobs
- they give additional support to the control shaft.
- the version with a friction ring prevents unexpected movement through vibration.

Scale and arrow on the control knobs are indelibly marked and easily legible. Besides the standard scale (Type S) they can be supplied with any type of graduation.

Regarding design, numbering run, numbering position and numbering sequence of the scale please see the layout for scale knobs on the order sheet "How to order graduations" (see page 594).

ACCESSORY

- Reference flanges GN 723.3 (see page 605) are to be ordered separately)

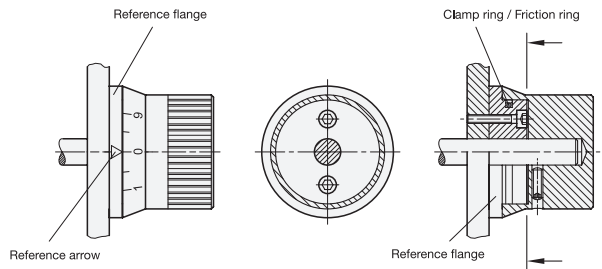
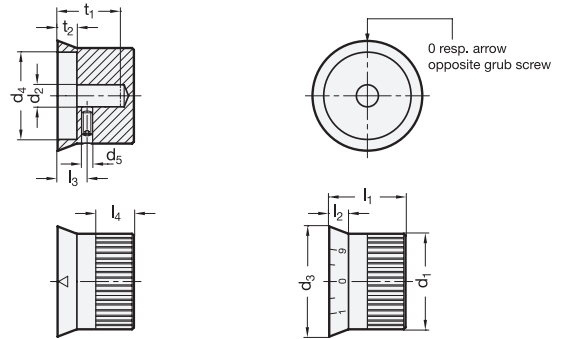
ON REQUEST

- special graduations see "How to order graduations" (see page 594)

TECHNICAL INFORMATION

- ISO-Fundamental Tolerances (see page A21)

CONTROL KNOB GN 723.4 COMBINED WITH A REFERENCE FLANGE GN 723.3



* Complete with types of the Knurled Control knobs (N, M or S)

N	M	S
neutral	with arrow	with scale

GN 723.4

Description	d1	d2 H8	d3 -0.2	d4	d5	l1	l2	l3	l4	t1 min.	t2	Δ
GN 723.4-27-B6-*	27	B 6	33.5	23.5	M 4	25.5	7.5	10.5	12.5	23.5	7.5	38
GN 723.4-34-B6-*	34	B 6	41	29.5	M 5	29.5	9.5	13.5	13	26.5	9.5	60
GN 723.4-34-B8-*	34	B 8	41	29.5	M 5	29.5	9.5	13.5	13	26.5	9.5	53
GN 723.4-42-B8-*	42	B 8	50	37.5	M 5	33.5	10.5	15.5	15	30.5	11.5	100
GN 723.4-42-B10-*	42	B 10	50	37.5	M 5	33.5	10.5	15.5	15	30.5	11.5	99